

RAYNOR GEO H Table



GEO H is a versatile sit-stand table that's easy to move and store. GEO H provides all the benefits of a sit-stand table solution in a simple affordable package. The GEO H table is an ideal solution for a number of Office spaces: as a temporary desk, additional work-surface, even as a meeting room utility table.

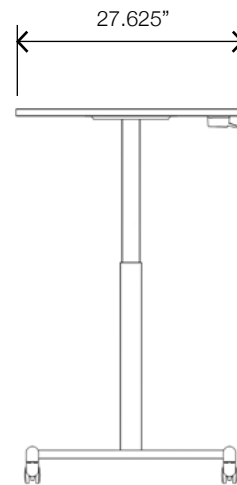
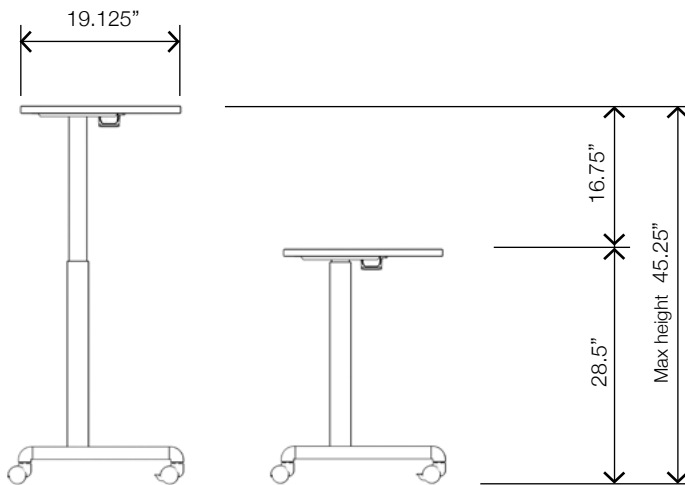
GEO H features a standard white powder coated frame finish complimented by light gray casters and trim. Standard rectangular tops are available in white and light maple with matching self edging. Or choose from a variety of quick ship laminates to create your own unique look.





FEATURES

- Pneumatic mobile lift table
- Easy wire control height adjustment
- Cable manager
- 19.125" x 27.625" top
- 16.75" height adjustment range (28.5" - 45.25")
- Heavy duty 3" Square steel column support
- H Style welded steel base
- Heavy-duty casters (2 locking)
- 11.0" square steel support panel bolts to support top
- 125 lb. static weight capacity



FINISHES

TOP

Stocked worksurface color options. Custom top colors available.



White



Light Maple

FRAME

Powder coat finish



White

MODELS

T1GEO101PH-WHWH, table with white top

T1GEO102PH-WHMP, table with light maple top

LIST PRICING

\$475.00 (standard finishes) delivered